

TKV-012-12-QUAD-DGI-IP65-MODUL



TKV-012-12-QUAD-DGI-IP65-BACKL-MODUL



FEATURES

- Vandal resistant numeric keypad
- Front mounted version
- Robust and durable
- Resistant to dirt, dust and liquid (IP65)
- Optionally available with backlight

SPECIFICATION

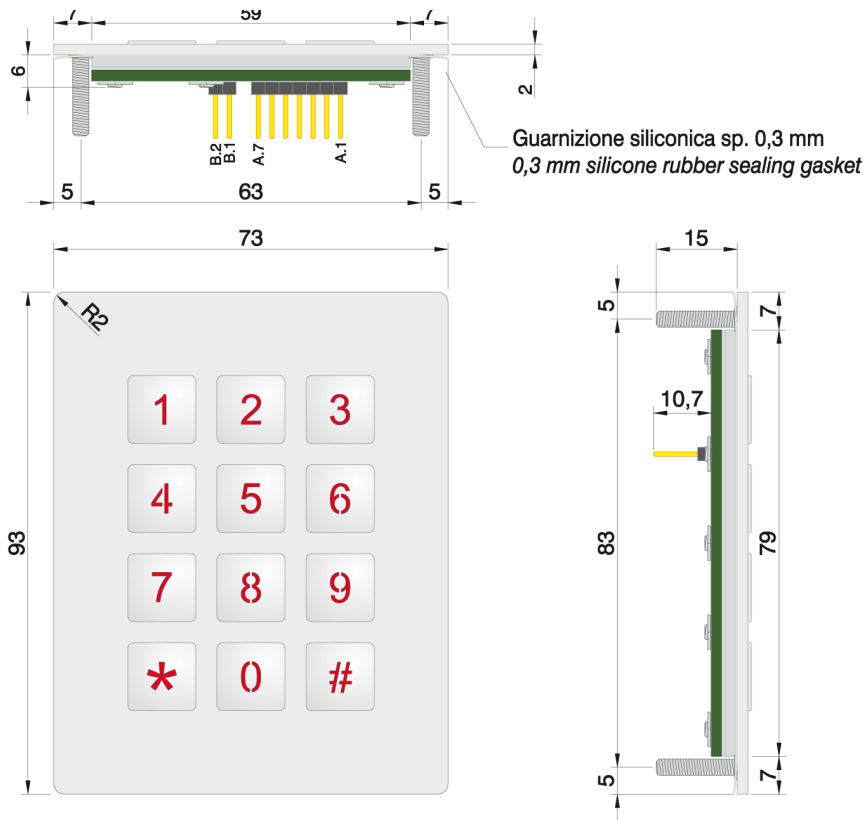
Number of keys:	12	Housing type:	front plate with threaded bolts (front mounting)
Key shape:	square	Front plate material:	stainless steel
Key size:	12 mm (diameter)	Interface:	matrix (connector)
Keyswitch technology:	Digi-Inox (metal dome)	Operating temperature:	-10 °C to +70 °C
Operating force:	4.5 N	Storage temperature:	-25 °C to +85 °C
Switch travel:	0.6 mm ± 0.1 mm	Dimensions:	93 x 73 x 17 mm
Switching cycles:	approx. 3mill. (per key)		
Protection level (max.):	IP65		
Impact protection rate:	IK08		

Cat. No.	Product Code	Backlight
KV21230	TKV-012-12-QUAD-DGI-IP65-MODUL-MATRIX	----
KV21206	TKV-012-12-QUAD-DGI-IP65-BACKLWH-MODUL-MATRIX	white
KV25201	TKV-012-12-QUAD-DGI-IP65-BACKLYE-MODUL-MATRIX	yellow

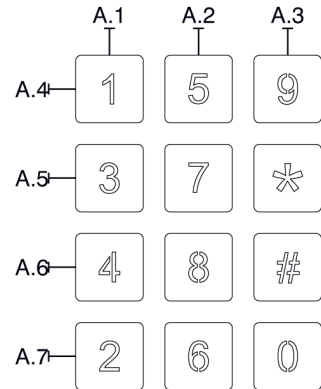
Other language versions / interfaces / configurations available on request.

Subject to modifications and errors

TECHNICAL DRAWING (in mm)



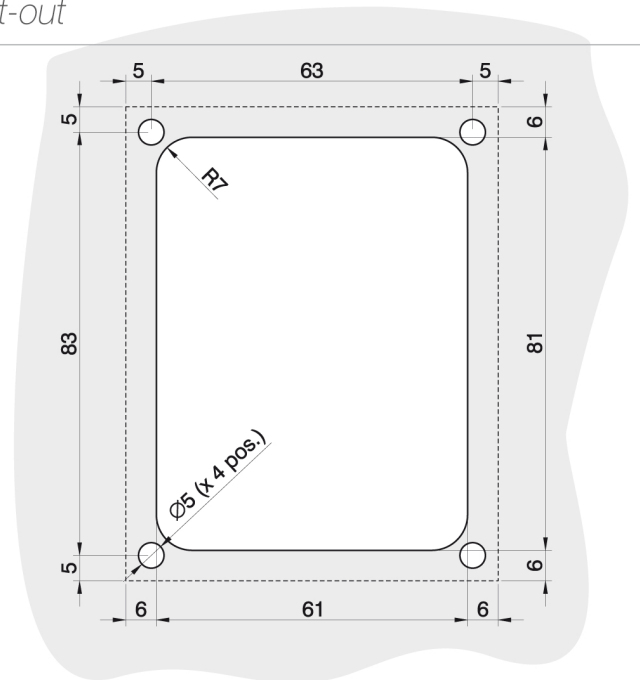
Pin-Out



B (retroilluminazione opzionale)
B (optional back-lighting)

B.1 — +12Vcc
B.2 — GND

Cutout consigliato *Suggested Cut-out*



Subject to modifications and errors